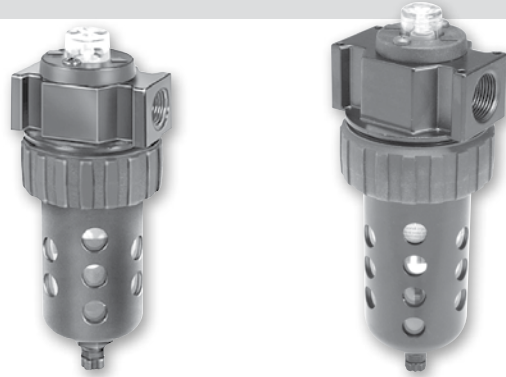




11F, 12F Prep-Air II Coalescing Filters

- Removes liquid aerosols and sub-micron particles
- Liquids gravitate to the bottom of the element and will not re-enter the airstream
- Oil free air for critical applications, such as air gauging and pneumatic instrumentation and controls
- Interchangeable twist and automatic float drains
- Differential pressure indicator standard
- 11F: 1/4", 3/8" & 1/2" ports (NPT & BSPP)
- 12F: 1/2" & 3/4" ports (NPT & BSPP)



11F

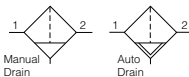
12F

Material specifications

Body	Zinc
Bowls	Transparent polycarbonate or Metal (zinc) with or without sight gauge
Bowl guards	Steel
Collar	Plastic (06, 07) or metal (07)
Drain	Plastic
Automatic float drain –	
Housing, float	Plastic
Seals	Nitrile
Springs, push rod	Stainless steel
Filter element –	
Borosilicate & felt glass fibers 99.97% DOP efficiency	0.01 Micron
Largest Aerosol Particle Passed (Grade 6)	
Largest Solid Particle Passed (Grade 6)	0.30 Micron
Seals	Nitrile
Sight gauge	Polyamide

Operating information

11F & 12F		
Operating pressure:	Poly bowl Metal bowl	0 to 150 PSIG (0 to 10.3 bar) 0 to 250 PSIG (0 to 17.2 bar)
Auto float drain:	Poly bowl Metal bowl	15 to 250 PSIG (1.0 to 17.2 bar)
Operating temperature:	Poly bowl Metal bowl	32°F to 125°F (0°C to 52°C) 32°F to 175°F (0°C to 80°C)

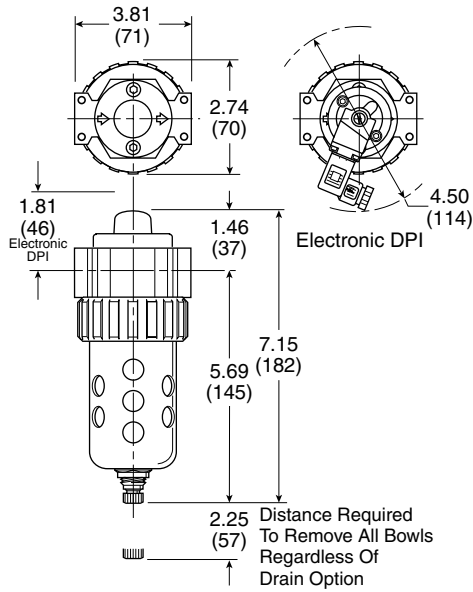


Coalescing Filters

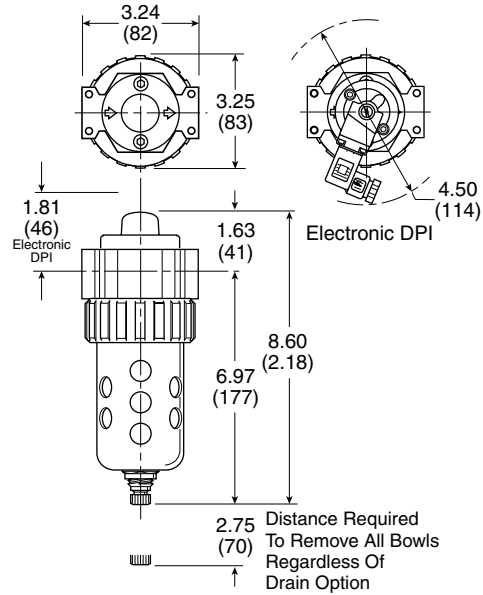
	Port size	Bowl type	Flow SCFM	Element type	Part number (NPT)	
					Twist drain	Automatic float drain
11F	1/4"	Poly bowl / Metal guard	45	0.01 micron	11F12EC	11F16EC
	1/4"	Metal bowl / Sight gauge	60	1.0 micron	11F14HC	11F18HC
	1/4"	Metal bowl / Sight gauge	45	0.01 micron	11F14EC	11F18EC
	1/4"	Metal bowl / Sight gauge	60	1.0 micron	11F14HC	11F18HC
	3/8"	Poly bowl / Metal guard	48	0.01 micron	11F22EC	11F26EC
	3/8"	Poly bowl / Metal guard	72	1.0 micron	11F22HC	11F26HC
	3/8"	Metal bowl / Sight gauge	48	0.01 micron	11F24EC	11F28EC
	3/8"	Metal bowl / Sight gauge	72	1.0 micron	11F24HC	11F28HC
	1/2"	Poly bowl / Metal guard	65	0.01 micron	11F32EC	11F36EC
	1/2"	Poly bowl / Metal guard	95	1.0 micron	11F32HC	11F36HC
12F	1/2"	Metal bowl / Sight gauge	65	0.01 micron	11F32EC	11F36EC
	1/2"	Metal bowl / Sight gauge	95	1.0 micron	11F34HC	11F38HC
	1/2"	Poly bowl / Metal guard	75	0.01 micron	12F32EC	12F36EC
	1/2"	Poly bowl / Metal guard	125	1.0 micron	12F32HC	12F36HC
	1/2"	Metal bowl / Sight gauge	75	0.01 micron	12F34EC	12F38EC
	1/2"	Metal bowl / Sight gauge	125	1.0 micron	12F34HC	12F38HC
	3/4"	Poly bowl / Metal guard	80	0.01 micron	12F42EC	12F46EC
	3/4"	Poly bowl / Metal guard	160	1.0 micron	12F42HC	12F46HC
	3/4"	Metal bowl / Sight gauge	80	0.01 micron	12F44EC	12F48EC
	3/4"	Metal bowl / Sight gauge	160	1.0 micron	12F44HC	12F48HC



11F (Compact)



12F (Standard)



Service kits

Description	11F (Compact)	12F (Standard)
Bowl guard kit	PS705P	PS805P
Bowl Kits –		
Poly bowl –		
Auto float drain	PS722P	PS822P
Twist drain	PS732P	PS832P
Metal bowl –		
Auto float drain	PS726P	PS826P
Twist drain	PS734P	PS834P
Sight gauge / automatic float drain	PS723P	PS823P
Sight gauge / twist drain	PS735P	PS835P
DPI replacement kit	PS781P	PS781P
Drain kits –		
Auto float drain	PS506P	PS506P
Twist drain	PS512P	PS512P
Electronic DPI replacement kit	PS764	PS764
Electrical connector - 15mm, 3-pin DIN, 6 Ft. Cord	PS2932JBP	PS2932JBP
Filter element kit –		
Grade 6 (Standard)	PS701P	PS824P
Grade 10 (Optional)	PS702P	PS830P
Mounting bracket kit	PS743P	PS843P
Sight gauge kit	PS914P	PS914P



Air Preparation Products

Global

Prep-Air II

Miniature

P3N

General Industrial

Stainless Steel

Precision / Proportional

Bulk Liquid Separators

